



**FACSIMILE EQUIPMENT**

**PARTS REFERENCE LIST**

**MODEL: MFC7420 / 7820N**

**DCP7010 / 7025**

**(For Germany / United Kingdom / France /  
Belgium / Netherlands / Switzerland /  
Ireland / Denmark / Austria / Spain / Italy /  
Portugal / China / Argentina / Chile /  
Hong Kong / Asia / Korea / Russia /  
Oceania / Pan-Nordic / Euro Generic)**

© Copyright Brother 2005

All rights reserved

No part of this publication may be reproduced in any form or by any means without permission in writing from the publisher.

Specifications are subject to change without prior notice.

**NOTES FOR USING THIS PARTS REFERENCE LIST**

1. In the case of ordering parts, it needs mentioning the following items:

- (1) Code
- (2) Q' ty
- (3) Description
- (4) Recommend (The √ mark is attached to recommend parts at this column.)
- (5) Symbol (PCB No., Revision, and Parts location mounted on the PCB.)

Note: No orders without Parts Code or Tool No. can be accepted.

[Example]

	(1)	(2)	(3)	(4)	(5)	
REF.NO.	CODE	Q' TY	DESCRIPTION	RECOMMEND	SYMBOL	REMARKS

2. Design-changed parts:

When the parts are changed, any one of the following symbols is mentioned in the REMARKS column.

CHG (chg): The part is changed to a new part.

ADD (add): The part is newly added.

DEL (del): The part is deleted.

Symbol in capital letters indicates that the change is the latest one in the page.

3. Parts change will be informed by the technical information.

**COUNTRIES**

GERMANY ---- GER

UNITED KINGDOM ---- UK

FRANCE ---- FRA

BELGIUM ---- BEL

NETHERLANDS ---- NLD

SWITZERLAND ---- CHE

IRELAND ---- IRE

DENMARK ---- DEN

AUSTRIA ---- AUS

SPAIN ---- SPA

ITALY ---- ITA

PORTUGAL ---- POR

CHINA ---- CHN

ARGENTINA ---- ARG

CHILE ---- CHL

ASIA ---- ASA

KOREA ---- KOR

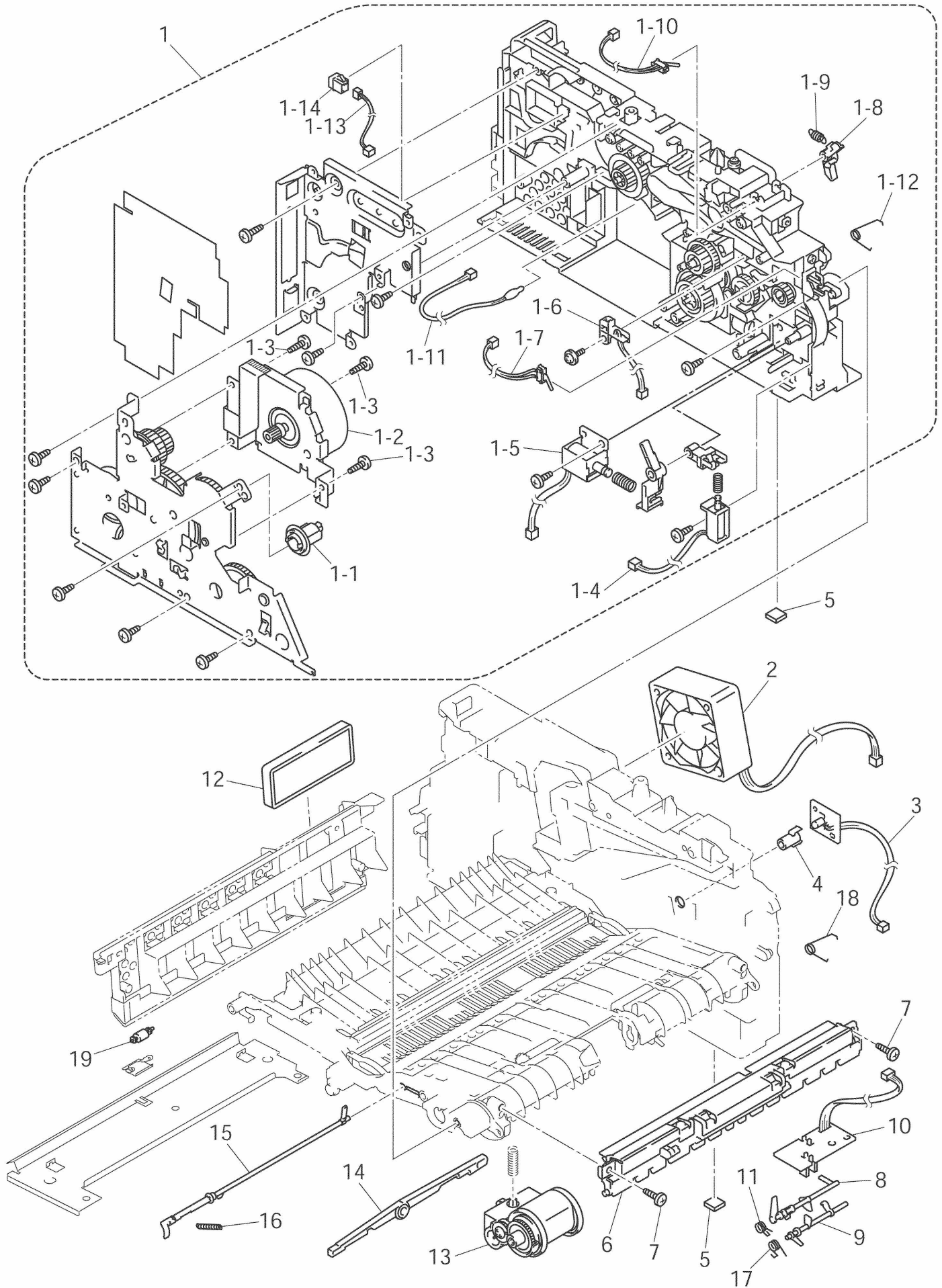
RUSSIA ---- RUS

OCEANIA (ARL & NZ) ---- OCE

PAN NORDIC ---- PND

EURO GENERIC ---- GNR

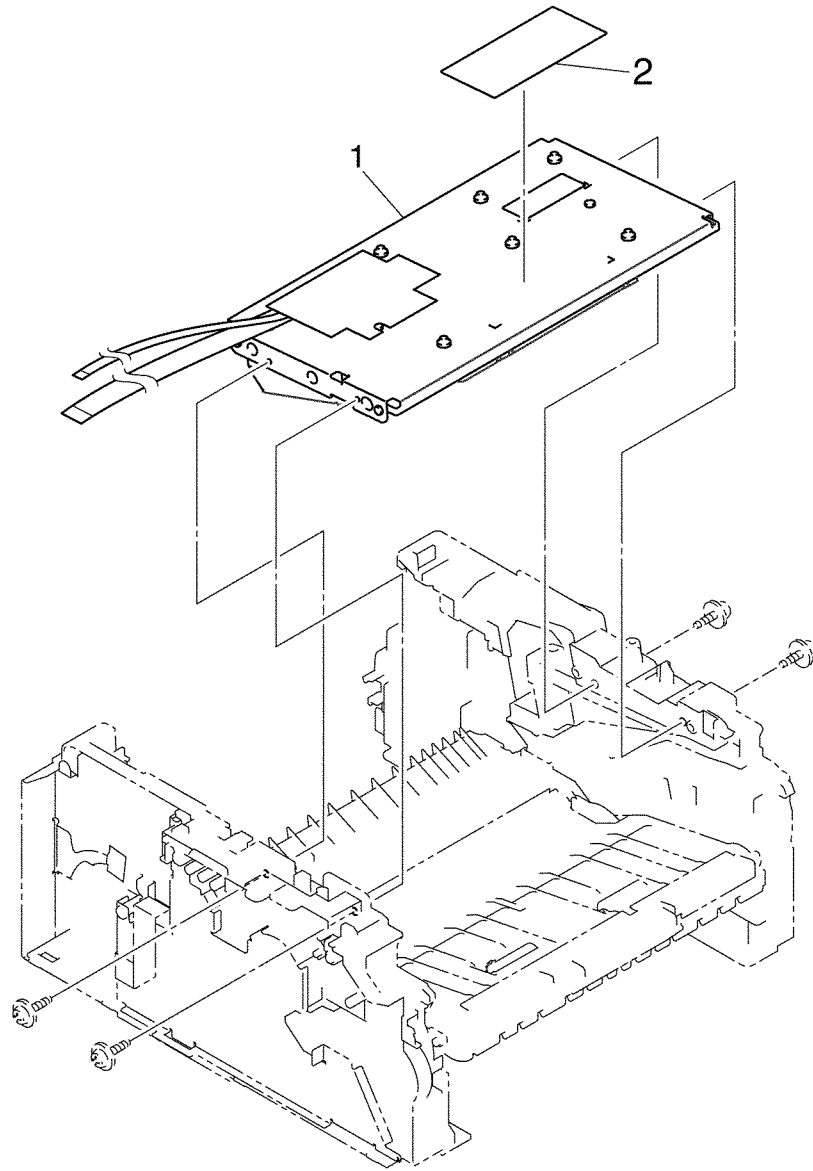
# 1. FRAME UNIT



## LIST1(FRAME UNIT)

REF No.	CODE	Q'TY	DESCRIPTION	RECOMMEND	REMARK
1	LF9386001	1	MAIN FRAME L ASSY-S, DCP7010, DCP7025, MFC7420		DEL
1	LF9602001	1	MAIN FRAME L ASSY-SV, DCP7010, DCP7025, MFC7420		add
1	LF9387001	1	MAIN FRAME L ASSY-S, MFC7820N		DEL
1	LF9600001	1	MAIN FRAME L ASSY-SV, MFC7820N		add
1-1	LM4227001	1	DEVELOP JOINT		
1-2	LM4341001	1	MAIN MOTOR ASSY		
1-3	087320616	3	TAPTITE CUP S M3X6		
1-4	LM4238001	1	P/R SOLENOID ASSY		chg
1-5	LM4234001	1	F/R SOLENOID ASSY		chg
1-6	LJ9740001	1	TONER SENSOR PCB ASSY		
1-7	LG5845001	1	COVER SENSOR ASSY		
1-8	LM4260001	1	NEW TONER ACTUATOR		
1-9	LM4261001	1	NEW TONER ACTUATOR SPRING		
1-10	LG5832001	1	NEW TONER SENSOR ASSY		
1-11	LG5834001	1	THERMISTOR ASSY		add
1-12	LM4904001	1	PINCH SPRING L		add
1-13	LJ9744001	1	THERMISTOR RELAY HARNESS		add
1-13	LM9014001	1	THERMISTOR RELAY HARNESS-S		add
1-14	LJ9745001	1	THERMISTOR HARNESS JOINT		add
1-14	LM9013001	1	THERMISTOR HARNESS JOINT-S		add
2	LF6856001	1	FAN MOTOR 60 UNIT		
3	LJ9747001	1	TONER LED PCB ASSY		
4	LM4267001	1	LED HOLDER		
5	LJ7403001	2	RUBBER FOOT		
6	LM4275001	1	SUB CHUTE ASSY		
7	085411216	2	TAPTITE BIND B M4X12		
8	LM4282001	1	REGIST FRONT ACTUATOR		
9	LM4283001	1	TAIL EDGE ACTUATOR		
10	LJ9751001	1	REGIST SENSOR PCB ASSY		
11	LM4285001	1	REGIST FRONT SPRING		
12	LM4570001	1	FILTER ASSY		
13	LM4300001	1	PICKUP ROLLER HOLDER ASSY		
14	LM4414001	1	LINK LEVER		
15	LM4284001	1	REGIST REAR ACTUATOR		
16	LM4286001	1	REGIST REAR SPRING		
17	LM4287001	1	TAIL EDGE SPRING		add
18	LM4905001	1	PINCH SPRING R		add
19	LJ7432001	1	CLEANER PINCH ROLLER ASSY L		add

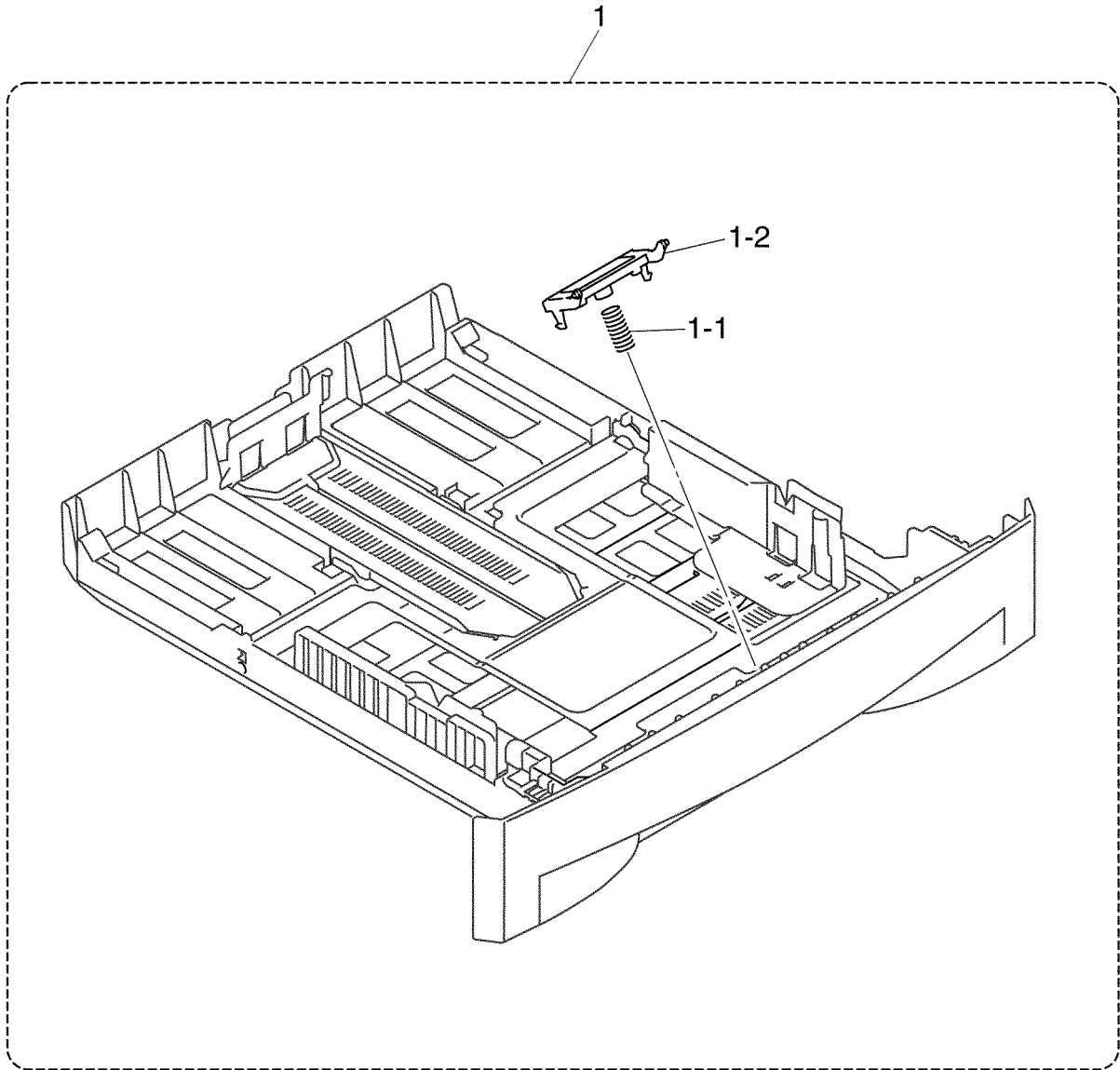
## 2. LASER UNIT



LIST2(LASER UNIT)

REF No.	CODE	Q'TY	DESCRIPTION	RECOMMEND	REMARK
1	LM4578001	1	LASER UNIT(SP)		
2	LJ0908001	1	LASER CAUTION LABEL EXCEPT FOR CHN		
2	UL7931001	1	LASER CAUTION LABEL FOR CHN		ADD

### 3. PAPER CASSETTE

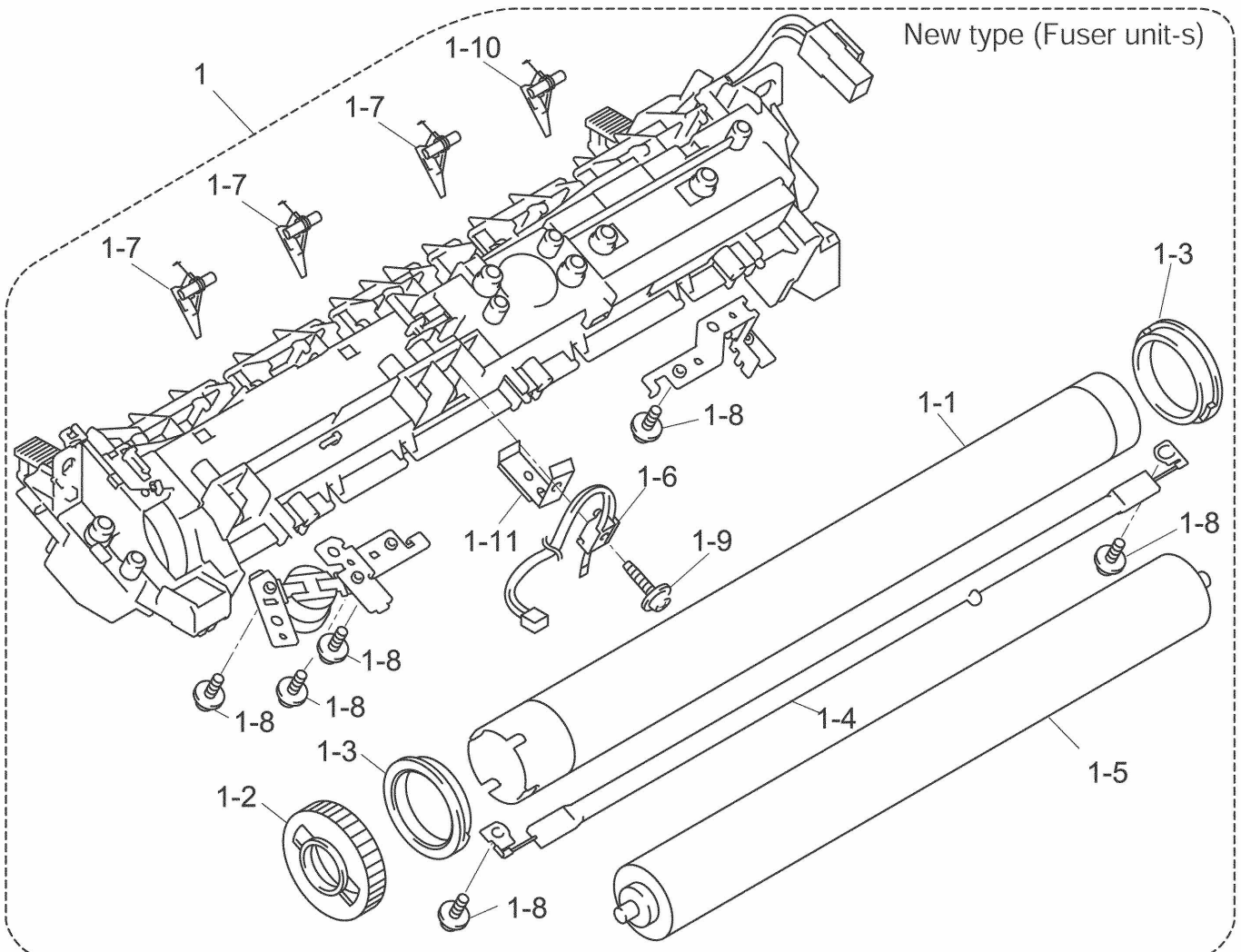
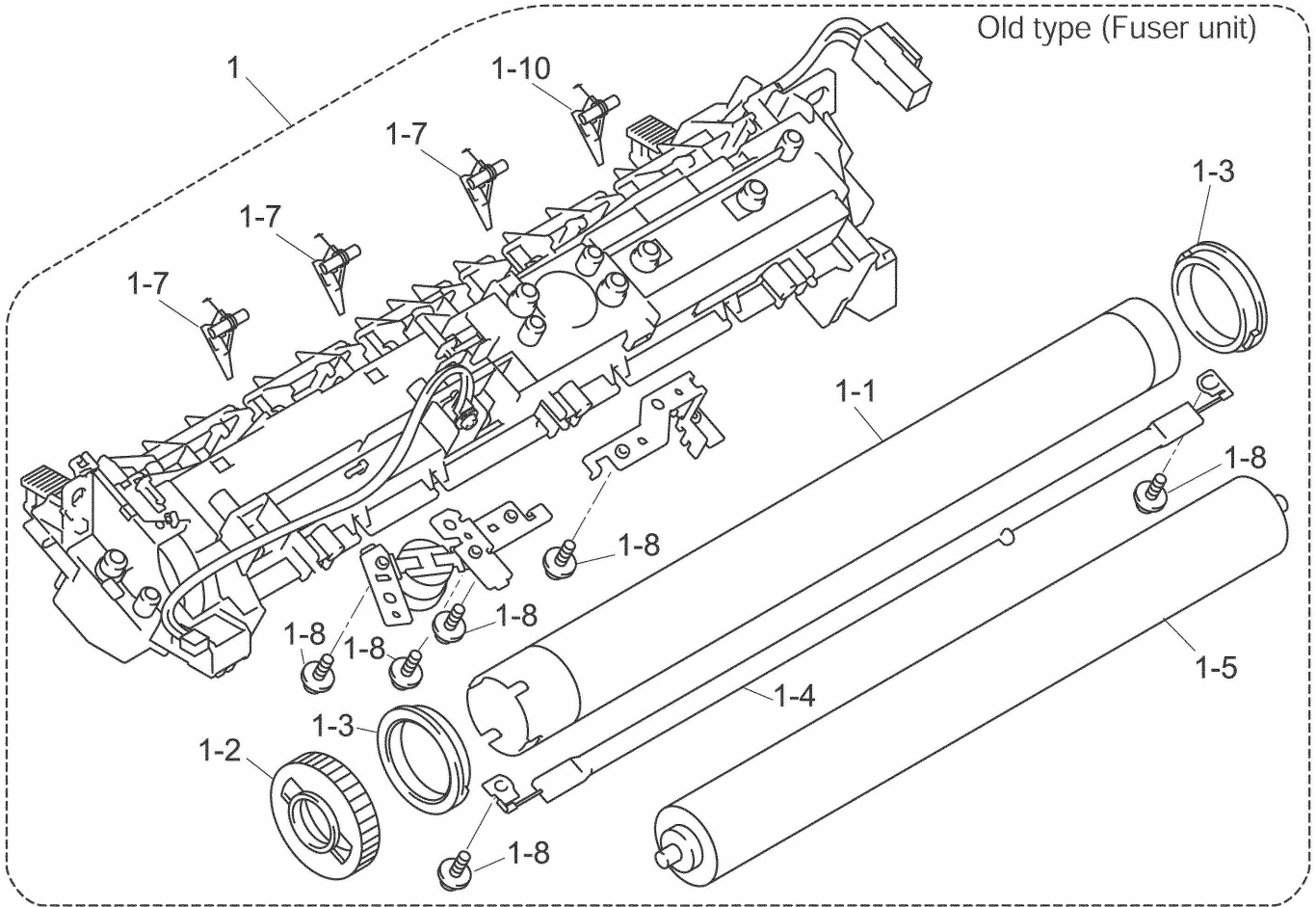




## LIST3(PAPER CASSETTE)

REF No.	CODE	Q'TY	DESCRIPTION	RECOMMEND	REMARK
1	LM6333001	1	PAPER TRAY ASSY, GRAY(1581), DCP7010/DCP7025/MFC7420 EXCEPT FOR CHN/ARG/CHL/ASA/KOR/OCE		CHG
1	LM6333002	1	PAPER TRAY ASSY, GRAY(1736), MFC7820N EXCEPT FOR ARG/CHL/ASA/KOR/OCE		CHG
1	LM6331001	1	PAPER TRAY ASSY, GRAY(1581), DCP7010/MFC7420 FOR CHN/ARG/CHL/ASA/KOR/OCE		CHG
1	LM6331002	1	PAPER TRAY ASSY, GRAY(1736), MFC7820N FOR ARG/CHL/ASA/KOR/OCE		CHG
1-1	LM4146001	1	SEPARATION PAD SPRING		
1-2	LM4143001	1	SEPARATION PAD HOLDER ASSY		

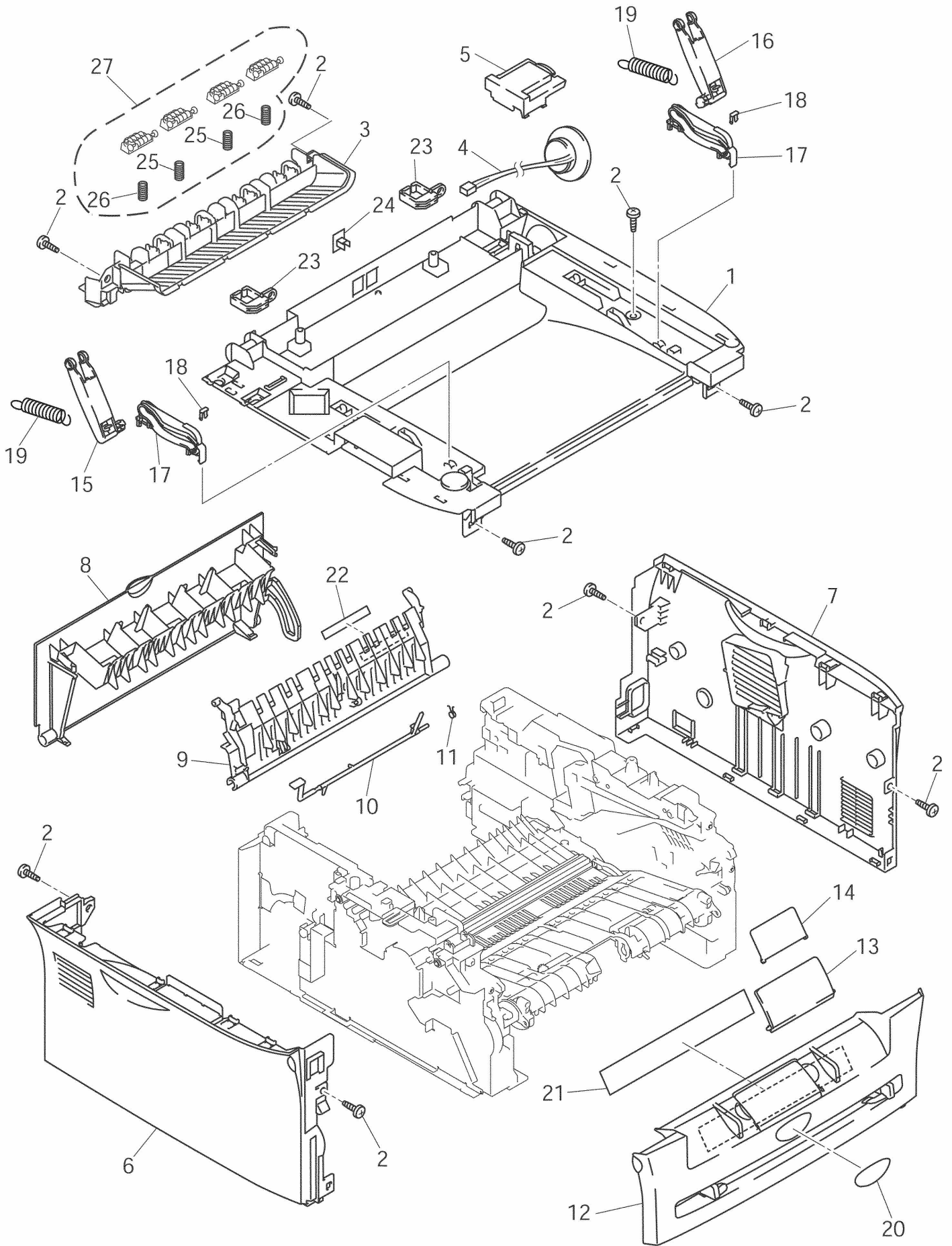
#### 4. FIXING UNIT



## LIST4(FIXING UNIT)

REF No.	CODE	Q'TY	DESCRIPTION	RECOMMEND	REMARK
1	LM4960001	1	FUSER UNIT 230V I-10/5 (SP)		chg
1	LM6314001	1	FUSER UNIT 230V S-10/5 (SP)		CHG
1-1	LM4009001	1	HEAT ROLLER		
1-2	LM4010001	1	HR GEAR		
1-3	LM4011001	2	HR BUSH		
1-4	LM4022001	1	HALOGEN HEATER 230V		
1-5	LM4013001	1	PRESSURE ROLLER		
1-6	LM4865001	1	THERMISTOR ASSY-S		chg
1-7	LM4994001	3	SEPARATE CLAW ASSY 10/1		chg
1-8	LM3855001	6	SCREW, PAN (S/P WASHER) M3X8		
1-9	087311216	1	TAPTITE CUP B M3X12		
1-10	LM4997001	1	SEPARATE CLAW ASSY 10/2		chg
1-11	LM6305001	1	THERMISTOR CLEANER ASSY2		CHG
<del>1-12</del>	<del>087310816</del>	<del>1</del>	<del>TAPTITE CUP B M3X8</del>		<del>DEL</del>

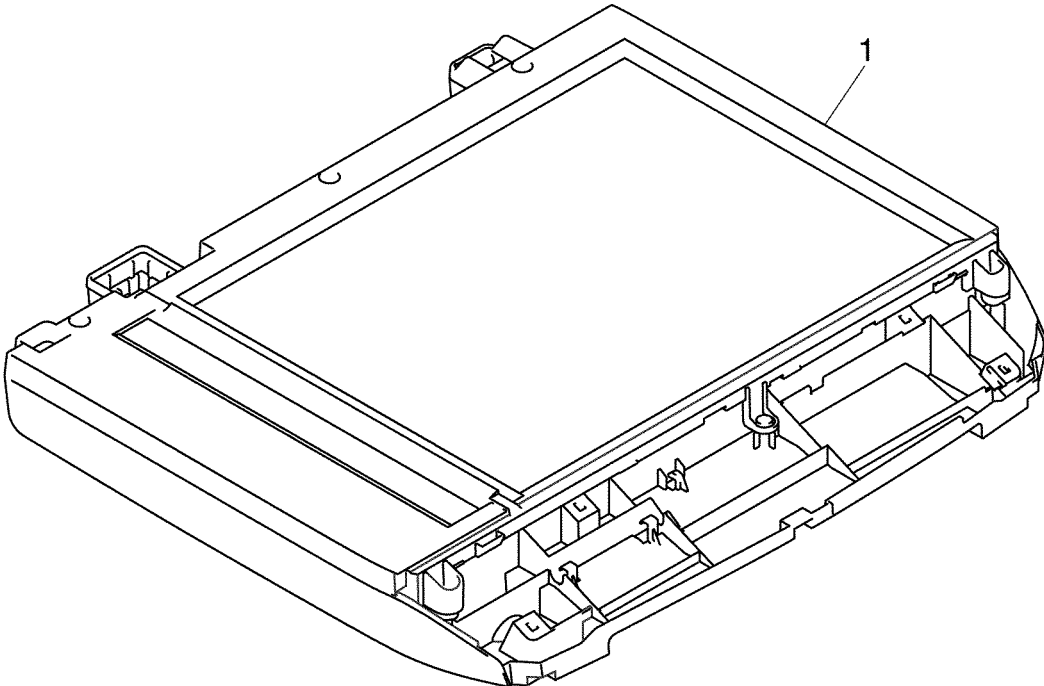
# 5. COVERS



## LIST5(COVERS)

REF No.	CODE	Q'TY	DESCRIPTION	RECOMMEND	REMARK
1	LF9873001	1	JOINT COVER ASSY, GRAY(1581), DCP7010, DCP7025		CHG
1	LF9871001	1	JOINT COVER ASSY, GRAY(1581), MFC7420		CHG
1	LF9871002	1	JOINT COVER ASSY, GRAY(1736), MFC7820N		CHG
2	085411216	9	TAPTITE BIND B M4X12		
3	LF6136001	1	INNER CHUTE, DCP7010, GRAY(1581), DCP7025, MFC7420		
3	LF6136002	1	INNER CHUTE, GRAY(1736), MFC7820N		
4	LG5842001	1	SPEAKER ASSY		
5	LF6630001	1	SPEAKER COVER, GRAY(1581), DCP7010, DCP7025, MFC7420		
5	LF6630002	1	SPEAKER COVER, GRAY(1736), MFC7820N		
6	LF6137001	1	SIDE COVER L, GRAY(1581), DCP7010, DCP7025, MFC7420		
6	LF6248002	1	SIDE COVER L, GRAY(1736), MFC7820N		
7	LF6138001	1	SIDE COVER R, GRAY(1581), DCP7010, DCP7025, MFC7420		
7	LF6138002	1	SIDE COVER R, GRAY(1736), MFC7820N		
8	LF9412001	1	REAR COVER, GRAY(1581), DCP7010, DCP7025, MFC7420		chg
8	LF9412002	1	REAR COVER, GRAY(1736), MFC7820N		chg
9	LM4972001	1	REAR CHUTE COVER		chg
10	LM6320001	1	PAPER EJECT ACTUATOR 3		chg
11	LM6309001	1	EJECT ACTUATOR SPRING 3		chg
12	LF6140001	1	FRONT COVER ASSY, GRAY(1581), DCP7010, DCP7025, MFC7420 EXCEPT FOR CHN/RUS		
12	LF6140002	1	FRONT COVER ASSY, GRAY(1736), MFC7820N EXCEPT FOR RUS		
12	LF9245001	1	FRONT COVER ASSY, GRAY(1581), DCP7010/DCP7025 FOR CHN		add
12	LF9236001	1	FRONT COVER ASSY, GRAY(1581), DCP7010/MFC7420 FOR RUS		add
12	LF9236002	1	FRONT COVER ASSY, GRAY(1736), MFC7820N FOR RUS		add
13	LF6143001	1	PAPER STOPPER L, GRAY(1581), DCP7010, DCP7025, MFC7420		
13	LF6143002	1	PAPER STOPPER L, GRAY(1736), MFC7820N		
14	LF6144001	1	PAPER STOPPER S, GRAY(1581), DCP7010, DCP7025, MFC7420		
14	LF6144002	1	PAPER STOPPER S, GRAY(1736), MFC7820N		
15	LF6145001	1	PULL ARM L		
16	LF6146001	1	PULL ARM R		
17	LF6147001	2	PULL ARM GUIDE		
18	LF6148001	2	LOCK CLAW		
19	LF6257001	2	PULL ARM SPRING, DCP7010		
19	LF6149001	2	PULL ARM SPRING, DCP7025/MFC7420/MFC7820N		
20	LM4162001	1	BROTHER EMBLEM, DCP7010/DCP7025/MFC7420		
20	LM4162002	1	BROTHER EMBLEM, MFC7820N		
21	LF6526001	1	PROCESS UNIT OP LABEL		
22	LM4167001	1	HEATER CAUTION LABEL REAR		
23	LF6745001	1	CORD HOOK, MFC7420, MFC7820N		
24	UF5745000	1	MJ COVER, EXT, MFC7420/MFC7820N FOR GER/UK/FRA/BEL/DEN/AUS/ITA/PND/GNR		chg
25	----		N/A		chg
26	----		N/A		chg
27	LM6289001	1	PINCH ROLLER SP ASSY 2		add

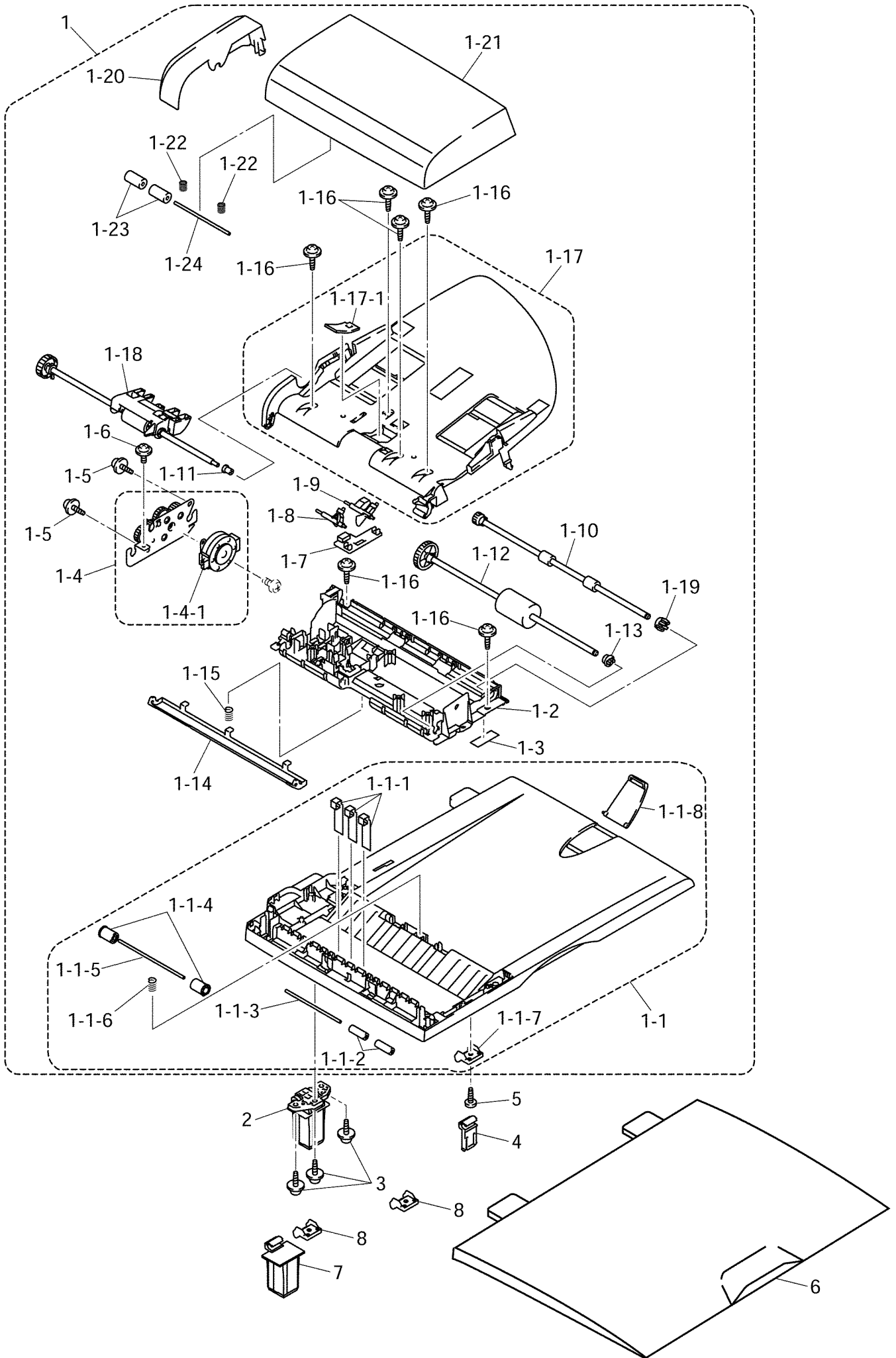
6. DOCUMENT SCANNER



## LIST6(DOCUMENT SCANNER)

REF No.	CODE	Q'TY	DESCRIPTION	RECOMMEND	REMARK
1	LF6733001	1	SCANNER UNIT(SP), DCP7010, DCP7025, MFC7420		
1	LF6733002	1	SCANNER UNIT(SP), MFC7820N		

7. ADF

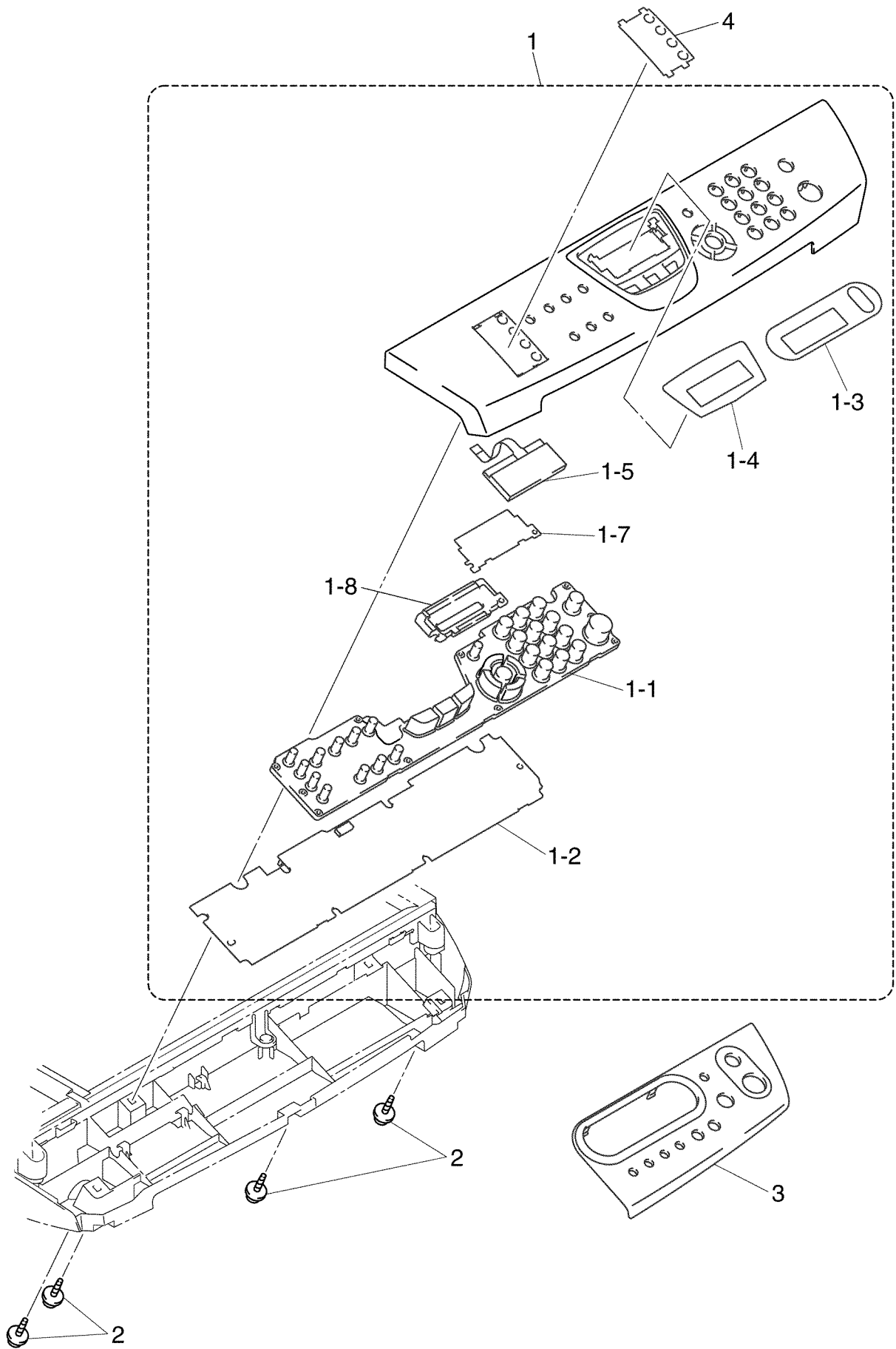




## LIST7(ADF)

REF No.	CODE	Q'TY	DESCRIPTION	RECOMMEND	REMARK
1	LF6162001	1	DOCUMENT COVER ASSY, DCP7025, MFC7420	√	
1	LF6162002	1	DOCUMENT COVER ASSY, MFC7820N	√	
1-1	LF6163001	1	DOCUMENT COVER SUB ASSY, DCP7025, MFC7420		
1-1	LF6163002	1	DOCUMENT COVER SUB ASSY, MFC7820N		
1-1-1	LF6864001	3	PRESSURE ROLLER FILM		
1-1-2	LE9733001	2	PRESSURE ROLLER, DCP7025, MFC7420, MFC7820N		
1-1-3	LE2471001	1	PRESSURE ROLLER SHAFT, DCP7025, MFC7420, MFC7820N		
1-1-4	UL6244002	2	EJECTION ROLLER, DCP7025, MFC7420, MFC7820N		
1-1-5	LE9735001	1	PRESSURE ROLLER SHAFT, DCP7025, MFC7420, MFC7820N		
1-1-6	LE6206001	1	EJECTION SPRING, DCP7025, MFC7420, MFC7820N		
1-1-7	LF6165001	1	HINGE ARM, DCP7025, MFC7420, MFC7820N		
1-1-8	LF6166001	1	DOCUMENT STOPPER, DCP7025, MFC7420		
1-1-8	LF6166002	1	DOCUMENT STOPPER, MFC7820N		
1-2	LF6168001	1	LOWER DOCUMENT CHUTE, DCP7025, MFC7420, MFC7820N		
1-3	LF6865001	1	LOWER DOCUMENT CHUTE FILM		
1-4	LF6169001	1	DRIVE FRAME ASSY, DCP7025, MFC7420, MFC7820N		
1-4-1	LF6172001	1	ADF MOTOR, DCP7025, MFC7420, MFC7820N		
1-5	087311016	2	TAPTITE CUP B M3X10, DCP7025, MFC7420, MFC7820N		
1-6	087320616	1	TAPTITE CUP S M3X6, DCP7025, MFC7420, MFC7820N		
1-7	LG5847001	1	ADF SENSOR PCB ASSY, DCP7025, MFC7420, MFC7820N		
1-8	LF5217001	1	ACTUATOR, R, DCP7025, MFC7420, MFC7820N		
1-9	LF4967001	1	ACTUATOR, F, DCP7025, MFC7420, MFC7820N		
1-10	LF6577001	1	EJECTION ROLLER ASSY, DCP7025, MFC7420, MFC7820N		
1-11	LF4230001	1	BUSHING, DCP7025, MFC7420, MFC7820N		
1-12	LF6579001	1	LF ROLLER ASSY, DCP7025, MFC7420, MFC7820N		
1-13	UF0026001	1	RESIN BEARING, DCP7025, MFC7420, MFC7820N		
1-14	LF5225001	1	DOCUMENT HOLD, DCP7025, MFC7420, MFC7820N		CHG
1-15	LF5226001	1	DOCUMENT HOLD SPRING, DCP7025, MFC7420, MFC7820N		
1-16	087311016	6	TAPTITE CUP B M3X10, DCP7025, MFC7420, MFC7820N		
1-17	LF6173001	1	UPPER DOCUMENT CHUTE ASSY, DCP7025, MFC7420, MFC7820N		
1-17-1	LF7135001	1	SEPARATION RUBBER, DCP7025, MFC7420, MFC7820N		
1-18	LF6582001	1	SEPARATE ROLLER SHAFT ASSY, DCP7025, MFC7420, MFC7820N		
1-19	UF9949001	1	EJECTION ROLLER BEARING, DCP7025, MFC7420, MFC7820N		
1-20	LF6177001	1	GEAR COVER, DCP7025, MFC7420		
1-20	LF6177002	1	GEAR COVER, MFC7820N		
1-21	LF6179001	1	ADF COVER, DCP7025, MFC7420		
1-21	LF6179002	1	ADF COVER, MFC7820N		
1-22	LE2472001	2	LF SPRING, DCP7025, MFC7420, MFC7820N		
1-23	UF9009001	2	PRESSER ROLLER, DCP7025, MFC7420, MFC7820N		
1-24	LE2471001	1	PRESSURE ROLLER SHAFT, DCP7025, MFC7420, MFC7820N		
2	LF6846001	1	HINGE L ASSY, DCP7025, MFC7420, MFC7820N		chg
3	087311016	3	TAPTITE CUP B M3X10, DCP7025, MFC7420, MFC7820N		
4	LF4976002	1	HINGE		
5	085411216	1	TAPTITE BIND B M4X12		
6	LF6276001	1	DOCUMENT COVER ASSY, DCP7010		
7	LF6279001	1	HINGE L, DCP7010		
8	LF6165001	2	HINGE ARM, DCP7010		

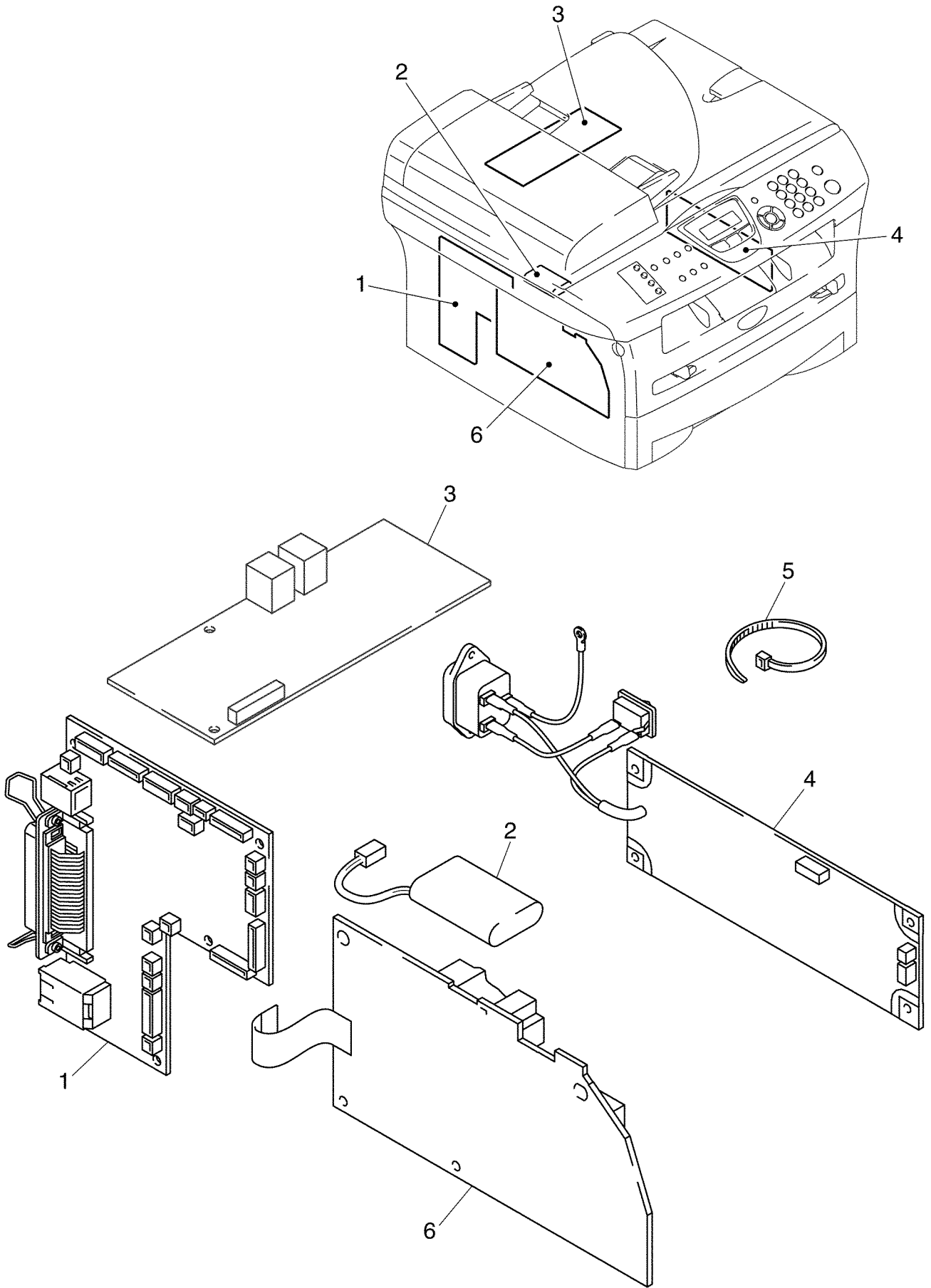
8. PANEL



## LIST8(PANEL)

REF No.	CODE	Q'TY	DESCRIPTION	RECOMMEND	SYMBOL	REMARK
1	LF6258001	1	PANEL UNIT, DCP7010 EXCEPT FOR RUS (EXCLUDING PRINTED DCP COVER)			
1	LF6273001	1	PANEL UNIT, DCP7025 (EXCLUDING PRINTED DCP COVER)			
1	LF6810001	1	PANEL UNIT, MFC7420 FOR GER/AUS			
1	LF6919001	1	PANEL UNIT, MFC7820N FOR GER/AUS			
1	LF6242001	1	PANEL UNIT, MFC7420 FOR UK/BEL/CHE/IRE/GNR			
1	LF6252002	1	PANEL UNIT, MFC7820N FOR UK			
1	LF6813001	1	PANEL UNIT, MFC7420 FOR FRA			
1	LF6928001	1	PANEL UNIT, MFC7820N FOR FRA			
1	LF6882001	1	PANEL UNIT, MFC7420 FOR NLD			
1	LF6953001	1	PANEL UNIT, MFC7820N FOR NLD			
1	LF6893001	1	PANEL UNIT, MFC7420 FOR DEN/PND			
1	LF6957001	1	PANEL UNIT, MFC7820N FOR DEN/PND			
1	LF6816001	1	PANEL UNIT, MFC7420 FOR SPA			
1	LF6960001	1	PANEL UNIT, MFC7820N FOR SPA			
1	LF6820001	1	PANEL UNIT, MFC7420 FOR ITA			
1	LF6966001	1	PANEL UNIT, MFC7820N FOR ITA			
1	LF6824001	1	PANEL UNIT, MFC7420 FOR POR			
1	LF6963001	1	PANEL UNIT, MFC7820N FOR POR			
1	LF9248001	1	PANEL UNIT, MFC7420 FOR CHN			ADD
1	LF6830001	1	PANEL UNIT, MFC7420 FOR ARG/CHL/ASA/OCE			
1	LF6947001	1	PANEL UNIT, MFC7820N FOR ARG/CHL/ASA/OCE			
1	LF9216001	1	PANEL UNIT, MFC7820N FOR KOR			ADD
1	LF9239001	1	PANEL UNIT, DCP7010 FOR RUS			ADD
1	LF9259001	1	PANEL UNIT, MFC7420 FOR RUS			ADD
1	LF9266001	1	PANEL UNIT, MFC7820N FOR RUS			ADD
1-1	LF6261001	1	RUBBER KEY, PRINTED, DCP7010, DCP7025			
1-1	LF6416001	1	RUBBER KEY, PRINTED, MFC7420/MFC7820N FOR GER/AUS			
1-1	LF6184001	1	RUBBER KEY, PRINTED, MFC7420/MFC7820N FOR EXCEPT FOR GER/AUS			
1-2	LG5917001	1	PANEL PCB ASSY, DCP7010		B53K796	
1-2	LG5917002	1	PANEL PCB ASSY, DCP7025		B53K796	
1-2	LG5114001	1	PANEL PCB ASSY, MFC7420		B53K788	
1-2	LG5114002	1	PANEL PCB ASSY, MFC7820N		B53K788	
1-3	LF6263001	1	LCD SHEET, DCP7010, DCP7025	√		
1-4	LF6244001	1	LCD SHEET, MFC7420	√		
1-4	LF6254001	1	LCD SHEET, MFC7820N	√		
1-5	LG5854001	1	LCD, DCP7010, MFC7420 FOR GNR			
1-5	LG6348001	1	LCD, MFC7420 EXCEPT FOR GNR			add
1-5	LG5867001	1	LCD, DCP7025, MFC7820N FOR GNR			
1-5	LG6347001	1	LCD, MFC7820N EXCEPT FOR GNR			add
(1-6)	085310816	1	TAPTITE BIND B M3X8, DCP7010/DCP7025			
1-7	LF6188001	1	DIFFUSION FILM, DCP7025, MFC7820N			
1-8	LF6189001	1	BACKLIGHT GUIDE, DCP7025, MFC7820N			
2	087311016	4	TAPTITE CUP B M3X10			
3	LF6665001	1	PRINTED DCP COVER, DCP7010/DCP7025 FOR GER/CHE/GNR <GERMAN>			
3	LF6663001	1	PRINTED DCP COVER, DCP7010/DCP7025 FOR UK/FRA/DEN/ASA/PND/GNR <ENGLISH>			
3	LF6666001	1	PRINTED DCP COVER, DCP7010/DCP7025 FOR FRA/CHE <FRENCH>			
3	LF6667001	1	PRINTED DCP COVER, DCP7010/DCP7025 FOR FRA <DUTCH>			
3	LF6670001	1	PRINTED DCP COVER, DCP7010 FOR SPA <SPANISH>			
3	LF6672001	1	PRINTED DCP COVER, DCP7010 FOR SPA <PORTUGUESE>			
3	LF6675001	1	PRINTED DCP COVER, DCP7010/DCP7025 FOR ITA <ITALIAN>			
3	LF9215001	1	PRINTED DCP COVER, DCP7010/DCP7025 FOR CHN			ADD
3	LF9213001	1	PRINTED DCP COVER, DCP7010 FOR KOR			ADD
3	LF9241001	1	PRINTED DCP COVER, DCP7010 FOR RUS			ADD
4	LF6190001	1	ADDRESS LABEL, MFC7420, MFC7820N			

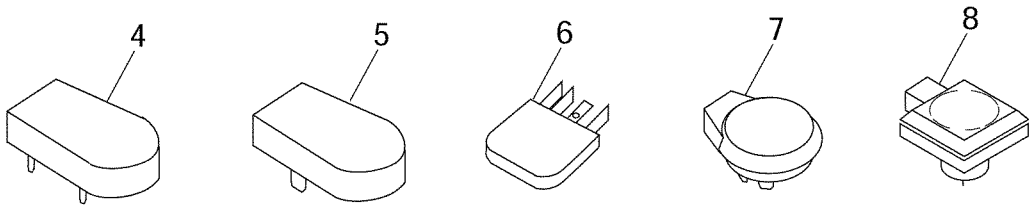
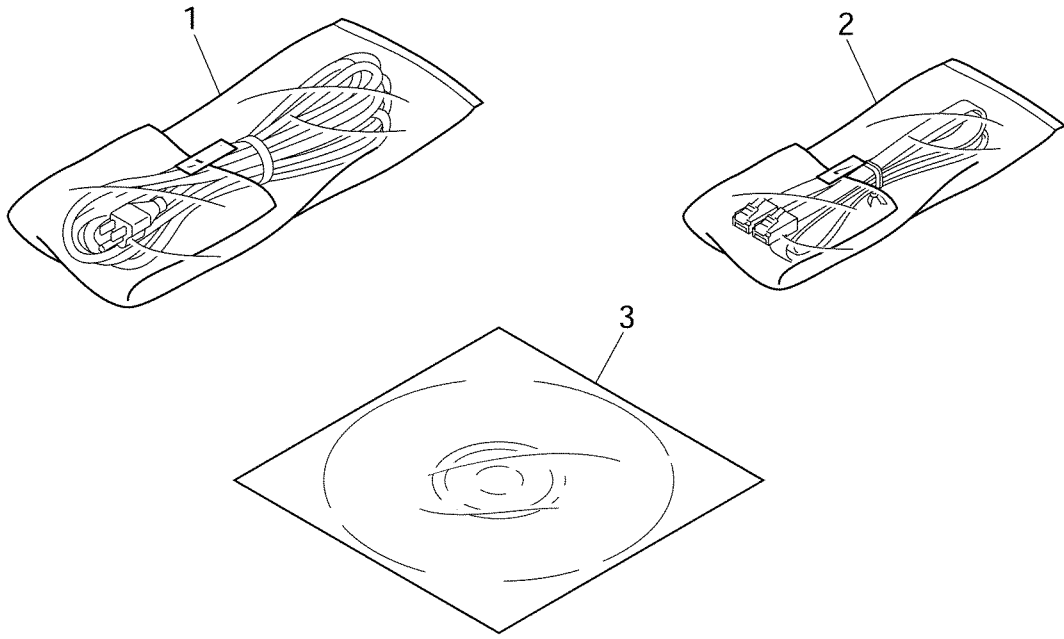
9. PCB



## LIST9(PCB)

REF No.	CODE	Q'TY	DESCRIPTION	RECOMMEND	SYMBOL	REMARK
1	LG5922014	1	MAIN PCB ASSY, DCP7010 EXCEPT FOR CHN	√	B53K774	
1	LG6432014	1	MAIN PCB ASSY-S, DCP7010 EXCEPT FOR CHN	√	B53K774	add
1	LG6655014	1	MAIN PCB ASSY-SV, DCP7010 EXCEPT FOR CHN	√	B53K834	ADD
1	LG5922004	1	MAIN PCB ASSY, DCP7025 EXCEPT FOR CHN	√	B53K774	
1	LG6432004	1	MAIN PCB ASSY-S, DCP7025 EXCEPT FOR CHN	√	B53K774	add
1	LG6655004	1	MAIN PCB ASSY-SV, DCP7025 EXCEPT FOR CHN	√	B53K834	ADD
1	LG5861004	1	MAIN PCB ASSY, MFC7420 EXCEPT FOR CHN	√	B53K774	
1	LG6431004	1	MAIN PCB ASSY-S, MFC7420 EXCEPT FOR CHN	√	B53K774	add
1	LG6654004	1	MAIN PCB ASSY-SV, MFC7420 EXCEPT FOR CHN	√	B53K834	ADD
1	LG5918004	1	MAIN PCB ASSY, MFC7820N EXCEPT FOR BEL/NLD/CHE/DEN/RUS/POR/PND/GNR	√	B53K790	
1	LG6430004	1	MAIN PCB ASSY-S, MFC7820N EXCEPT FOR BEL/NLD/CHE/DEN/RUS/POR/PND/GNR	√	B53K790	add
1	LG6798004	1	MAIN PCB ASSY-SV, MFC7820N EXCEPT FOR BEL/NLD/CHE/DEN/RUS/POR/PND/GNR	√	B53K835	ADD
1	LG5918014	1	MAIN PCB ASSY, MFC7820N FOR BEL/NLD/CHE/DEN/POR/PND	√	B53K790	add
1	LG6430014	1	MAIN PCB ASSY-S, MFC7820N FOR BEL/NLD/CHE/DEN/POR/PND	√	B53K790	add
1	LG6798014	1	MAIN PCB ASSY-SV, MFC7820N FOR BEL/NLD/CHE/DEN/POR/PND	√	B53K835	ADD
1	LG5922030	1	MAIN PCB ASSY, DCP7010 FOR CHN	√	B53K774	add
1	LG6432030	1	MAIN PCB ASSY-S, DCP7010 FOR CHN	√	B53K774	add
1	LG6655030	1	MAIN PCB ASSY-SV, DCP7010 FOR CHN	√	B53K834	ADD
1	LG5922020	1	MAIN PCB ASSY, DCP7025 FOR CHN	√	B53K774	add
1	LG6432020	1	MAIN PCB ASSY-S, DCP7025 FOR CHN	√	B53K774	add
1	LG6655020	1	MAIN PCB ASSY-SV, DCP7025 FOR CHN	√	B53K834	ADD
1	LG5861020	1	MAIN PCB ASSY, MFC7420 FOR CHN	√	B53K774	add
1	LG6431020	1	MAIN PCB ASSY-S, MFC7420 FOR CHN	√	B53K774	add
1	LG6654020	1	MAIN PCB ASSY-SV, MFC7420 FOR CHN	√	B53K834	ADD
1	LG5918024	4	MAIN PCB ASSY, MFC7820N FOR RUS/GNR	√	B53K790	del
1	LG6430024	1	MAIN PCB ASSY-S, MFC7820N FOR RUS/GNR	√	B53K790	add
1	LG6798024	1	MAIN PCB ASSY-SV, MFC7820N FOR RUS/GNR	√	B53K835	ADD
1	LG5861001	4	MAIN PCB ASSY, MFC7420 FOR ARG/CHL	√	B53K774	del
1	LG5918001	4	MAIN PCB ASSY, MFC7820N FOR ARG/CHL	√	B53K790	del
2	LG5921001	1	BATTERY, MFC7820N			
3	LG5923003	1	NCU PCB ASSY, MFC7420 FOR GER	√	B53K786	
3	LG5923004	1	NCU PCB ASSY, MFC7820N FOR GER	√	B53K786	
3	LG5923001	1	NCU PCB ASSY, MFC7420 FOR UK/FRA/BEL/NLD/IRE/DEN/AUS/SPA/ITA/POR/RUS/P ND/ GNR	√	B53K786	
3	LG5923002	1	NCU PCB ASSY, MFC7820N FOR UK/FRA/BEL/NLD/IRE/DEN/AUS/SPA/ITA/POR/RUS/P ND/GNR	√	B53K786	
3	LG5923005	1	NCU PCB ASSY, MFC7420 FOR CHE	√	B53K786	
3	LG5923006	1	NCU PCB ASSY, MFC7820N FOR CHE	√	B53K786	
3	LG5857002	4	NCU PCB ASSY, MFC7420 FOR ARG/CHL	√	B53K784	del
3	LG5925002	4	NCU PCB ASSY, MFC7820N FOR ARG/CHL	√	B53K786	del
3	LG6190001	1	NCU PCB ASSY, MFC7420 FOR CHN/ARG/CHL/ASA	√	B53K786	
3	LG6190002	1	NCU PCB ASSY, MFC7820N FOR ARG/CHL/ASA/KOR	√	B53K786	
3	LG6198001	1	NCU PCB ASSY, MFC7420 FOR OCE	√	B53K786	
3	LG6198002	1	NCU PCB ASSY, MFC7820N FOR OCE	√	B53K786	
4	LG5915001	1	PS PCB UNIT, 230V EXCEPT FOR ARG/CHL/CHN/ASA/RUS			
4	LG6170001	1	PS PCB UNIT, 230V FOR CHN			add
4	LG6200001	1	PS PCB UNIT, 230V FOR ARG/CHL/ASA/KOR/RUS			
5	LJ8657001	1	BINDER 2.3X79			
6	LJ9708001	1	HIGH-VOLTAGE PS PCB ASSY			

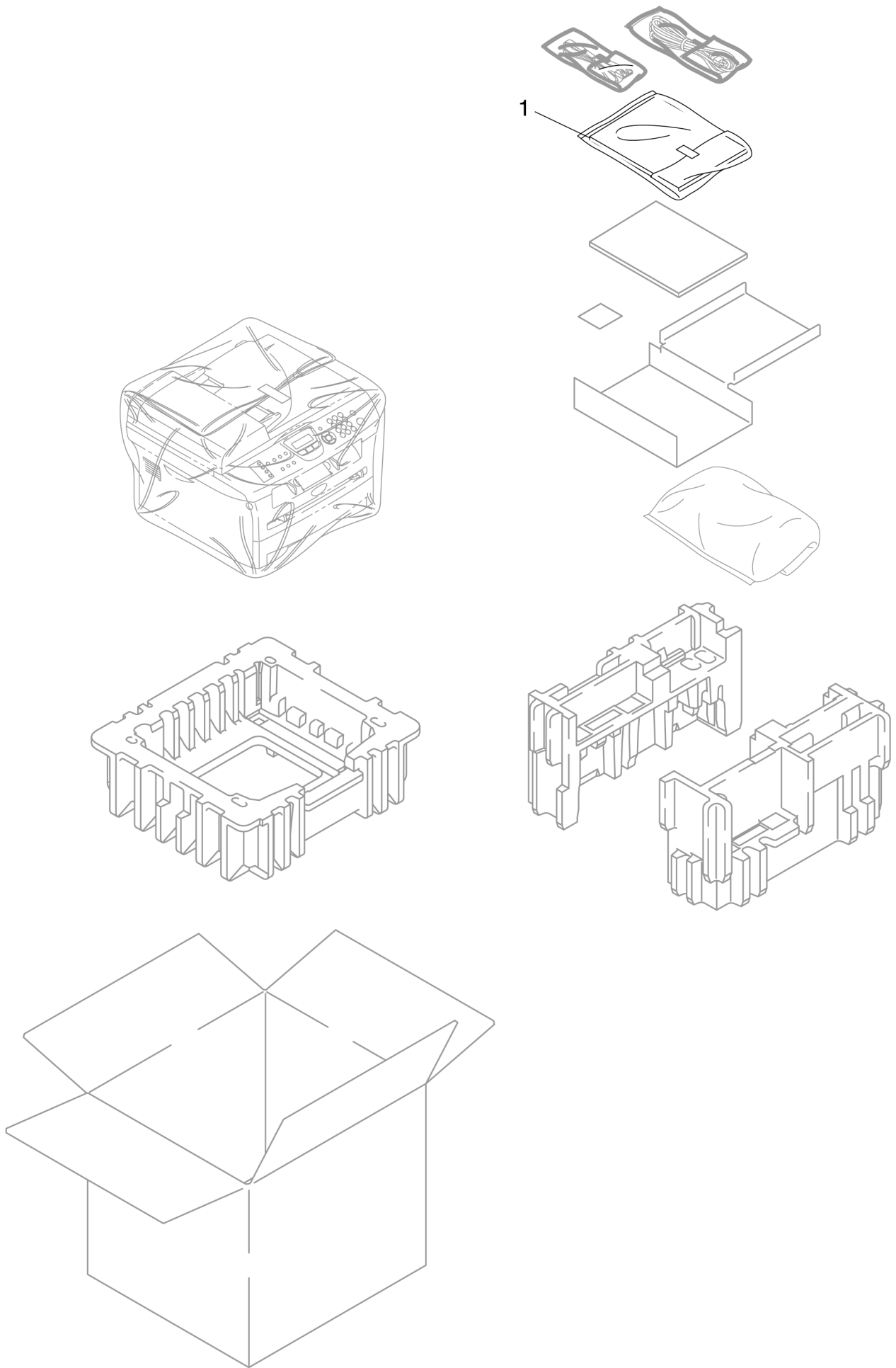
## 10. ACCESSORIES



## LIST10(Accessories)

REF No.	CODE	Q'TY	DESCRIPTION	RECOMMEND	REMARK
1	LG4424001	1	AC CORD BAG ASSY LF, VDE FOR GER/FRA/BEL/ NLD/AUS/SPA/ITA/POR/ASA/KOR/RUS/PND/GNR		
1	LG6208001	1	AC CORD BAG ASSY LF, BS/PSB FOR UK/IRE/ASA		chg
1	LG4718001	1	AC CORD BAG ASSY LF, SEV FOR CHE		
1	LG4720001	1	AC CORD BAG ASSY LF, DEMKO FOR DEN/PND		CHG
1	LJ9353001	1	AC CORD BAG ASSY LF FOR CHN		add
1	LJ9667001	1	AC CORD BAG ASSY LF, SAA FOR ASA/OCE		
1	LG6199001	1	AC CORD BAG ASSY LF, ARG/CHL FOR ARG/CHL		
1	LG6207001	1	AC CORD BAG ASSY LF, CHILE FOR CHL		
2	UG3625001	1	TELEPHONE LINE CORD FOR GER		
2	UG3626001	1	TELEPHONE LINE CORD FOR UK		
2	UG3627001	1	TELEPHONE LINE CORD FOR FRA		
2	UG1575001	1	TELEPHONE LINE CORD FOR BEL		
2	LG3077001	1	TELEPHONE LINE CORD FOR NLD/IRE/SPA/ POR/CHN/ARG/CHL/ASA/KOR/RUS/OCE/GNR		
2	UG3469000	1	TELEPHONE LINE CORD FOR CHE		
2	LG5827001	1	TELEPHONE LINE CORD FOR DEN/PND		
2	UG4205001	1	TELEPHONE LINE CORD FOR AUS		
2	UG3634001	1	TELEPHONE LINE CORD FOR ITA		
2	UG3290001	1	TELEPHONE LINE CORD FOR OCE		
3	LF6569001	1	CD-ROM ASSY, DCP7010 FOR GER/UK/CHE/ASA/KOR/GNR <Windows>		
3	LF9096001	1	CD-ROM ASSY, DCP7010 FOR GNR <Windows>		chg
3	LF6654001	1	CD-ROM ASSY, DCP7025 FOR GER/UK/CHE/GNR <Windows>		
3	LF6586001	1	CD-ROM ASSY, MFC7420/MFC7820N FOR GER/UK/FRA/CHE/IRE/AUS/ASA/KOR/OCE <Windows>		
3	LF6580001	1	CD-ROM ASSY, DCP7010 FOR FRA/PND <Windows>		
3	LF6725001	1	CD-ROM ASSY, DCP7025 FOR FRA/PND <Windows>		
3	LF6590001	1	CD-ROM ASSY, MFC7420/MFC7820N FOR BEL/NLD/PND <Windows>		
3	LF6726001	1	CD-ROM ASSY, DCP7025 FOR DEN/PND <Windows>		
3	LF6591001	1	CD-ROM ASSY, MFC7420/MFC7820N FOR DEN/PND <Windows>		
3	LF6583001	1	CD-ROM ASSY, DCP7010 FOR DEN/PND <Windows>		
3	LF6588001	1	CD-ROM ASSY, DCP7010 FOR SPA/ITA <Windows>		
3	LF6601001	1	CD-ROM ASSY, DCP7025 FOR SPA/ITA <Windows>		
3	LF6587001	1	CD-ROM ASSY, MFC74200/MFC7820N FOR SPA/ITA/POL/ARG/CHL <Windows>		
3	LF6644001	1	CD-ROM ASSY, DCP7010/DCP7025 FOR CHN <Windows>		add
3	LF6648001	1	CD-ROM ASSY, MFC7420 FOR CHN <Windows>		add
3	LF6639001	1	CD-ROM ASSY, DCP7010 FOR RUS <Windows>		add
3	LF6595001	1	CD-ROM ASSY, MFC7420/MFC7820N FOR RUS <Windows>		add
3	LF6593001	1	CD-ROM ASSY, MFC7420/MFC7820N FOR GNR <Windows>		
3	LF6649001	1	CD-ROM ASSY, DCP7010/DCP7025 FOR GER/UK/FRA/CHE/SPA/ITA/ASA/KOR <Macintosh>		
3	LF6977001	1	CD-ROM ASSY, MFC7420/MFC7820N FOR GER/UK/FRA/CHE/IRE/AUS/SPA/ITA/POR/ARG/CHL/ASA/O CE <Macintosh>		
3	LF6978001	1	CD-ROM ASSY, MFC7420/MFC7820N FOR BEL/NLD/DEN/PND/GNR <Macintosh>		
3	LF6976001	1	CD-ROM ASSY, DCP7010/DCP7025 FOR DEN/RUS/PND/GNR <Macintosh>		chg
4	LG3622001	1	TELEPHONE PLUG FOR NLD		
5	LG5828001	1	TELEPHONE PLUG FOR DEN/PND <DANISH>		
6	LG3509001	1	TELEPHONE PLUG FOR OCE <AUSTRALIAN>		
7	LG5830001	1	TELEPHONE PLUG FOR PND <SWEDISH>		
8	LG5829001	1	TELEPHONE PLUG FOR PND <FINNISH>		

# 11. PRINTING MATERIALS

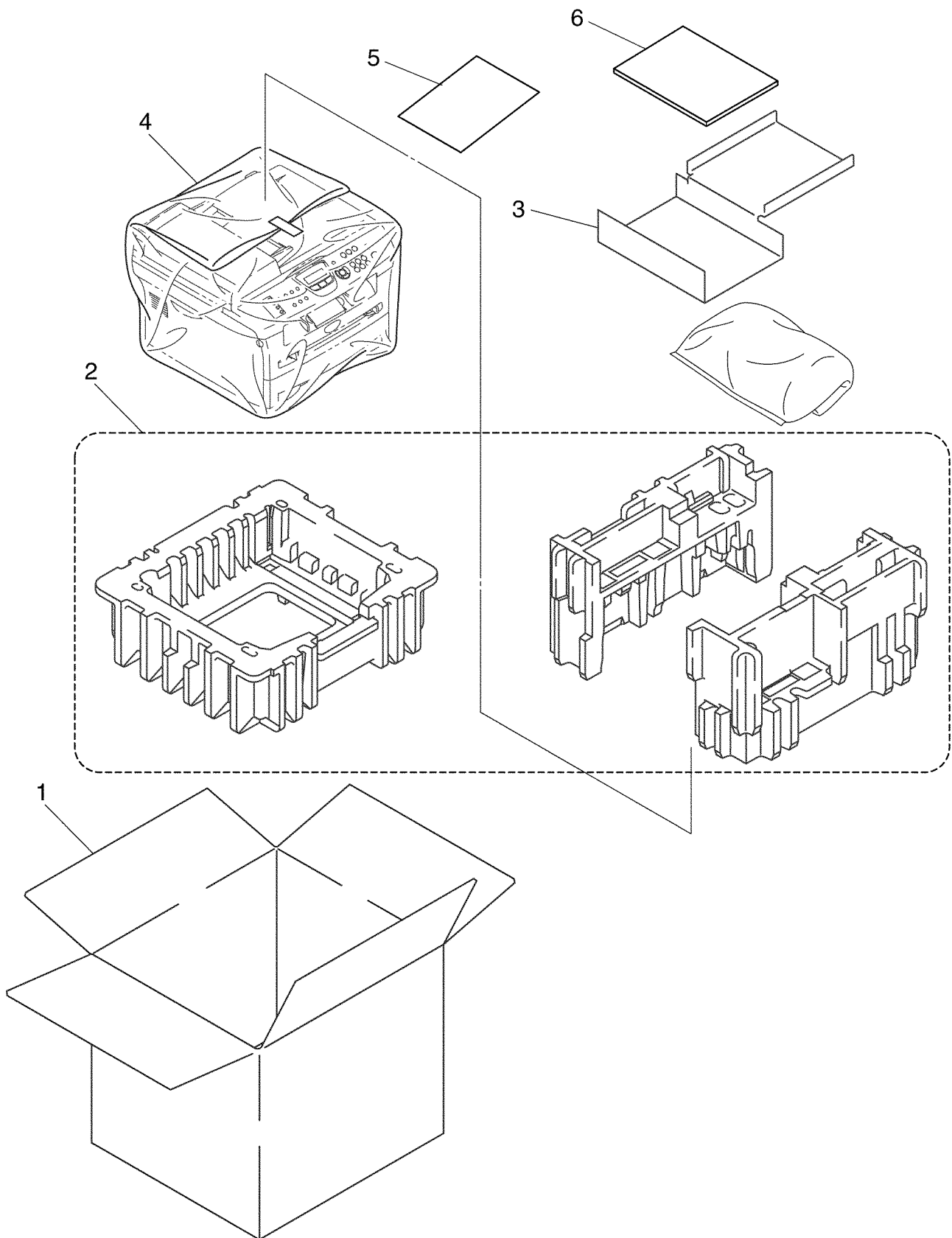




LIST11(PRINTED MATERIALS)

REF No.	CODE	Q'TY	DESCRIPTION	RECOMMEND	REMARK
1	LF6530003	1	USER'S GUIDE, MFC7420/MFC7820N FOR GER/AUS		
1	LF6530004	1	USER'S GUIDE, MFC7420/MFC7820N FOR UK/IRE		
1	LF6530005	1	USER'S GUIDE, MFC7420/MFC7820N FOR FRA		
1	LF6530008	1	USER'S GUIDE, MFC7420/MFC7820N FOR BEL <DUTCH>		
1	LF6879001	1	USER'S GUIDE, MFC7420/MFC7820N FOR BEL/CHE <FRENCH>		
1	LF6530009	1	USER'S GUIDE, MFC7420/MFC7820N FOR NLD		
1	LF6530010	1	USER'S GUIDE, MFC7420/MFC7820N FOR CHE		
1	LF6896001	1	USER'S GUIDE, MFC7420/MFC7820N FOR DEN		
1	LF6530015	1	USER'S GUIDE, MFC7420/MFC7820N FOR SPA		
1	LF6530016	1	USER'S GUIDE, MFC7420/MFC7820N FOR ITA		
1	LF6530018	1	USER'S GUIDE, MFC7420/MFC7820N FOR POR		
1	LF6530020	1	USER'S GUIDE, MFC7420 FOR CHN		ADD
1	LF6530040	1	USER'S GUIDE, MFC7420/MFC7820N FOR ASA/OCE		
1	LF6530048	1	USER'S GUIDE, MFC7420/MFC7820N FOR RUS		ADD
1	LF6899001	1	USER'S GUIDE, MFC7420/MFC7820N FOR PND <SWEDISH>		
1	LF6896001	1	USER'S GUIDE, MFC7420/MFC7820N FOR PND <FINNISH>		

## 12. PACKING MATERIALS



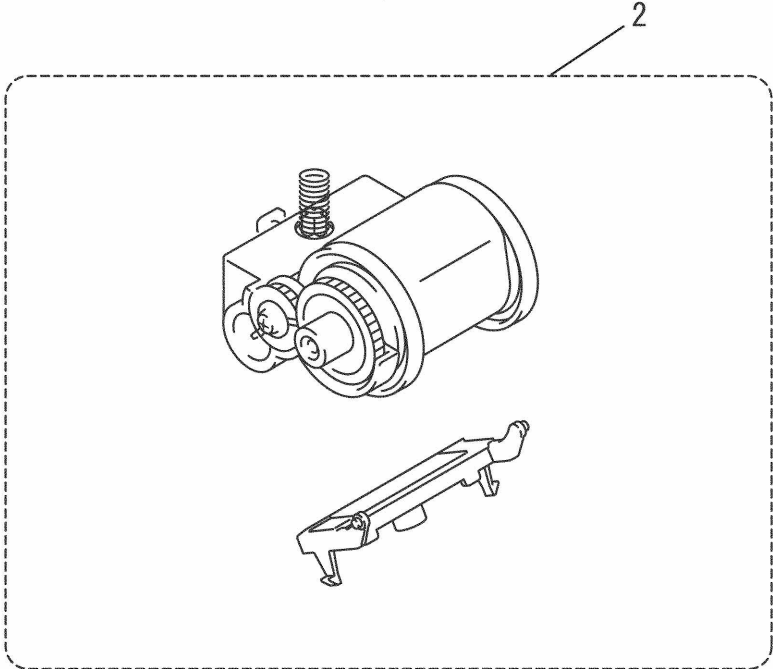
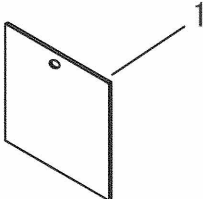
LIST12(PACKING MATERIALS)

REF No.	CODE	Q'TY	DESCRIPTION	RECOMMEND	REMARK
1	LF6571001	1	CARTON, BROTHER, DCP7010 EXCEPT FOR CHN/KOR/RUS	√	
1	LF6599001	1	CARTON, BROTHER, DCP7025 EXCEPT FOR CHN	√	
1	LF6573001	1	CARTON, BROTHER, MFC7420 FOR ARG/CHL/ASA/OCE	√	
1	LF9960001	1	CARTON, BROTHER, MFC7420 FOR GER/UK/FRA/BEL/NLD/CHE/IRE/DEN/AUS/SPA/ITA/POR/PND/GNR	√	ADD
1	LF6574001	1	CARTON, BROTHER, MFC7820N FOR ARG/CHL/ASA/OCE	√	
1	LF9961001	1	CARTON, BROTHER, MFC7820N FOR GER/UK/FRA/BEL/NLD/CHE/IRE/DEN/AUS/SPA/ITA/POR/PND/GNR	√	ADD
1	LF9228001	1	CARTON, BROTHER, DCP7010 FOR CHN	√	add
1	LF9227001	1	CARTON, BROTHER, DCP7025 FOR CHN	√	add
1	LF9231001	1	CARTON, BROTHER, MFC7420 FOR CHN	√	add
1	LF9214001	1	CARTON, BROTHER, DCP7010 FOR KOR	√	add
1	LF9218001	1	CARTON, BROTHER, MFC7820N FOR KOR	√	add
1	LF9189001	1	CARTON, BROTHER, DCP7010 FOR RUS	√	add
1	LF9190001	1	CARTON, BROTHER, MFC7420 FOR RUS	√	add
1	LF9191001	1	CARTON, BROTHER, MFC7820N FOR RUS	√	add
2	LF6267001	1	POLYSTYRENE PAD ASSY, DCP7010		
2	LF6195001	1	POLYSTYRENE PAD ASSY, DCP7025, MFC7420, MFC7820N		
3	LF6199001	1	OPTION CARTON		
4	LJ5583001	1	BAG, 800X900H		
5	UU0456001	1	PROTECTION PAPER, EXCEPT FOR DCP7010		chg
6	LF6557003	1	QUICK SETUP GUIDE, DCP7010/DCP7025 FOR GER/CHE/GNR		
6	LF6535003	1	QUICK SETUP GUIDE, MFC7420/MFC7820N FOR GER/AUS		
6	LF6557004	1	QUICK SETUP GUIDE, DCP7010 FOR UK DCP7025 FOR UK/GNR		
6	LF6535004	1	QUICK SETUP GUIDE, MFC7420/MFC7820N FOR UK/IRE		
6	LF6557005	1	QUICK SETUP GUIDE, DCP7010/DCP7025 FOR FRA/CHE <FRENCH>		
6	LF6557009	1	QUICK SETUP GUIDE, DCP7010/DCP7025 FOR FRA <DUTCH>		
6	LF6535005	1	QUICK SETUP GUIDE, MFC7420/MFC7820N FOR FRA		
6	LF6557013	1	QUICK SETUP GUIDE, DCP7010/DCP7025 FOR DEN/PND		
6	LF6535013	1	QUICK SETUP GUIDE, MFC7420/MFC7820N FOR DEN/PND		
6	LF6535008	1	QUICK SETUP GUIDE, MFC7420/MFC7820N FOR BEL <DUTCH>		
6	LF6881001	1	QUICK SETUP GUIDE, MFC7420/MFC7820N FOR BEL/CHE <FRENCH>		
6	LF6535009	1	QUICK SETUP GUIDE, MFC7420/MFC7820N FOR NLD		
6	LF6535010	1	QUICK SETUP GUIDE, MFC7420/MFC7820N FOR CHE <GERMAN>		
6	LF6557015	1	QUICK SETUP GUIDE, DCP7010/DCP7025 FOR SPA <SPANISH>		
6	LF6557018	1	QUICK SETUP GUIDE, DCP7010/DCP7025 FOR SPA <PORTUGUESE>		
6	LF6535015	1	QUICK SETUP GUIDE, MFC7420/MFC7820N FOR SPA		
6	LF6557016	1	QUICK SETUP GUIDE, DCP7010/DCP7025 FOR ITA		
6	LF6535016	1	QUICK SETUP GUIDE, MFC7420/MFC7820N FOR ITA		
6	LF6535018	1	QUICK SETUP GUIDE, MFC7420/MFC7820N FOR POR		
6	LF6557020	1	QUICK SETUP GUIDE, DCP7010/DCP7025 FOR CHN		add
6	LF6535020	1	QUICK SETUP GUIDE, MFC7420 FOR CHN		add
6	LF6557040	1	QUICK SETUP GUIDE, DCP7010 FOR ASA		
6	LF6535040	1	QUICK SETUP GUIDE, MFC7420/MFC7820N FOR ASA/OCE		
6	LF6557048	1	QUICK SETUP GUIDE, DCP7010 FOR RUS		add
6	LF6535048	1	QUICK SETUP GUIDE, MFC7420/MFC7820N FOR RUS		add
6	LF6557012	1	QUICK SETUP GUIDE, DCP7010/DCP7025 FOR PND <FINNISH>		
6	LF6557026	1	QUICK SETUP GUIDE, DCP7010/DCP7025 FOR PND <SWEDISH>		
6	LF6557007	1	QUICK SETUP GUIDE, DCP7010/DCP7025 FOR PND <NORWEGIAN>		

## LIST12(PACKING MATERIALS)

REF No.	CODE	Q'TY	DESCRIPTION	RECOMMEND	REMARK
6	LF6535012	1	QUICK SETUP GUIDE, MFC7420/MFC7820N FOR PND <FINNISH>		
6	LF6535007	1	QUICK SETUP GUIDE, MFC7420/MFC7820N FOR PND <NORWEGIAN>		
6	LF6535026	1	QUICK SETUP GUIDE, MFC7420/MFC7820N FOR PND <SWEDISH>		
6	LF6557037	1	QUICK SETUP GUIDE, DCP7010 FOR GNR <ENGLISH><CZECH><HUNGARIAN>		add
6	LF6557039	1	QUICK SETUP GUIDE, DCP7010 FOR GNR <POLISH><BULGARIAN><RUMANIAN>		add
6	LF6912001	1	QUICK SETUP GUIDE, MFC7420/MFC7820N FOR GNR <ENGLISH><CZECH><HUNGARIAN>		
6	LF6914001	1	QUICK SETUP GUIDE, MFC7420/MFC7820N FOR GNR <POLISH><BULGARIAN><RUMANIAN>		

13. OTHERS



## List13(OTHERS)

REF No.	CODE	Q'TY	DESCRIPTION	RECOMMEND	REMARK
1	LM4726001	1	CHECK JIG		
2	LM4581004	4	PAPER FEEDING KIT EXCEPT FOR CHN		DEL
2	LM6291001	1	PAPER FEEDING KIT		add

**brother**®

PL-FAX104  
8C5A31  
Ver. M-3